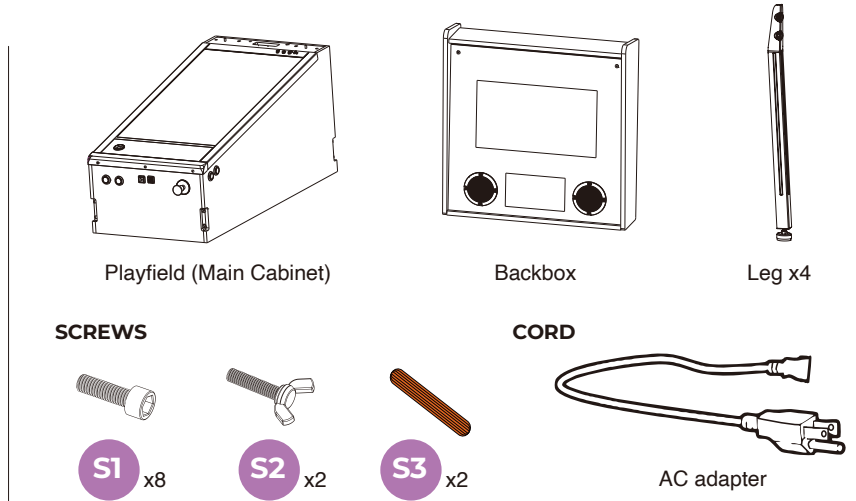
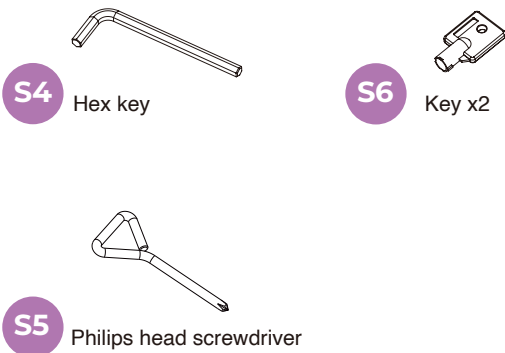


# ASSEMBLY GUIDE

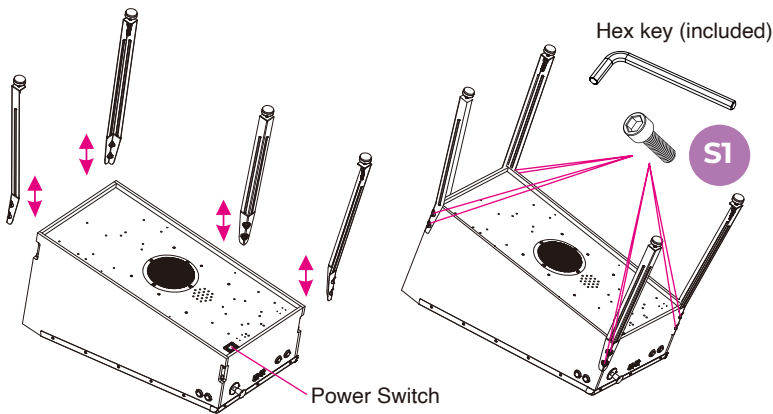
Legends Pinball HDP comes in one or two boxes. Due to the weight of the first box, it is recommended that you have another person help install the legs.

## TOOLS INCLUDED



### Step 1.

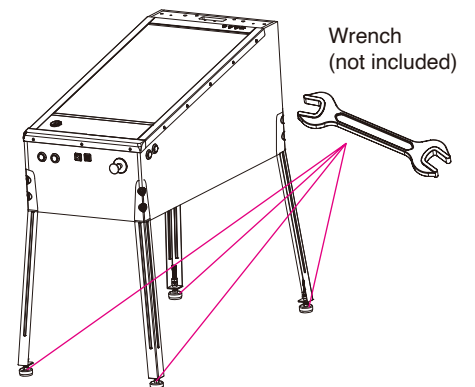
Take out the playfield, legs, and 8 [S1] screws. Put the playfield upside down on a soft surface. Attach the legs to the main cabinet and insert 8 [S1] screws to the matching holes with [S4] hex key.



Note: The speaker grille is used for the unit when Surround Sound Feedback Kit (SSF Kit) is installed (SSF Kit requires separate purchase).

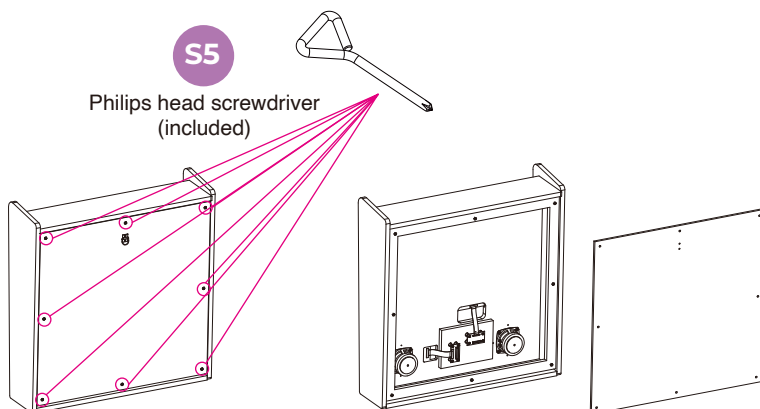
### Step 2.

Position the playfield upright. Use the wrench [not included] to adjust the height of the playfield to your liking. Tighten the base screws when set.



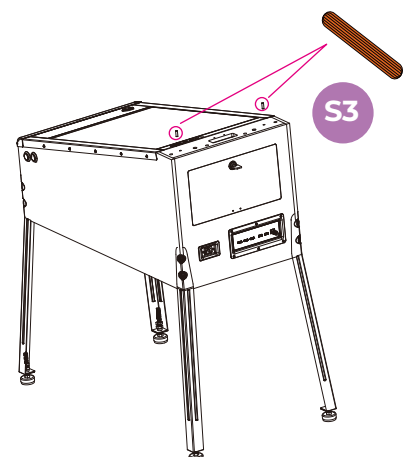
### Step 3.

Locate the backbox and use a Philips head screwdriver (included) to loosen the 8 screws on the rear panel, then remove the rear panel from the backbox. Place the screws and panel safely aside.

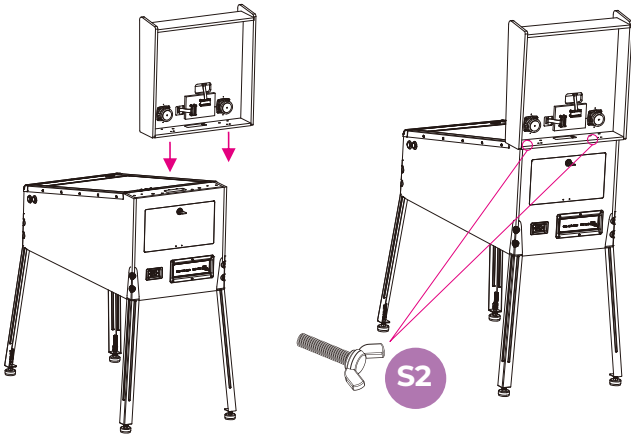


### Step 4.

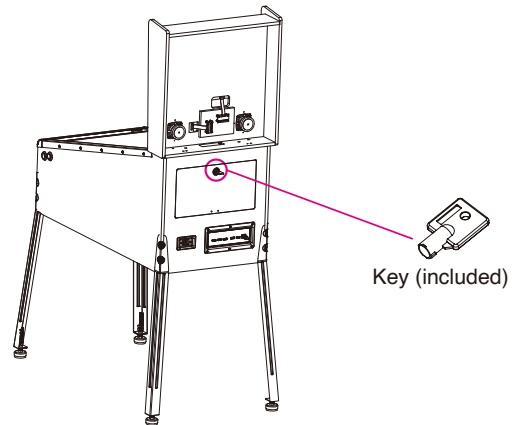
Insert [S3] 2 Dowels into the matching holes on top of the Playfield.



**Step 5.**  
 Attach the Backbox to the top of the Playfield through the dowels, then insert [S2] 2 screws into the matching holes and tighten them.



**Step 6.**  
 Use the [S6] key to open up the rear panel on the Playfield. Feed the cables through the hole on the back of the Backbox.

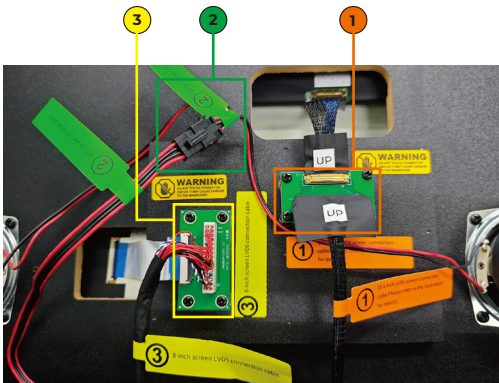


**Step 7.**  
 Connect the 3 numbered cables to the correct inputs.

Plug the 15.6 inch LVDS Cable into the Switch Board ----Label code: **1**

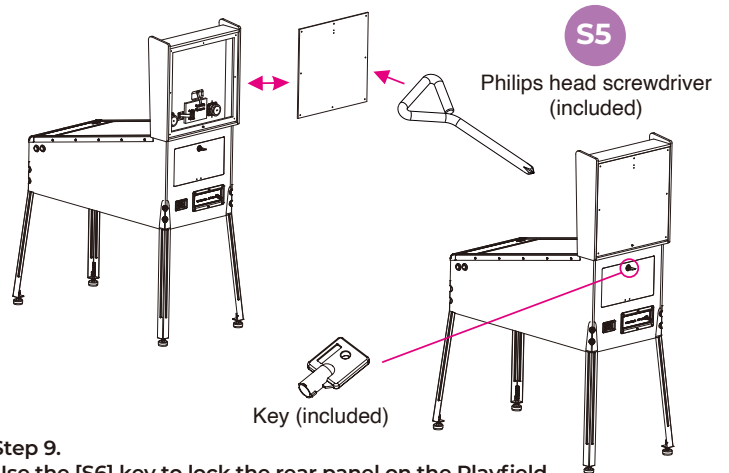
Plug the 8 inch LVDS Cable into the Switch Board -----Label Code: **3**

Insert the Speaker Cable into the other end -----Label Code: **2**



Note: When connecting, please pay attention to the fool-proof design of the inputs to ensure correct insertion orientation.

**Step 8.**  
 Attach the rear panel of the backbox and tighten it with 8 screws using the included Philips head screwdriver [S5].



**Step 9.**  
 Use the [S6] key to lock the rear panel on the Playfield.

**PACKAGING/UNBOXING WARNING**

- Please note that when assembling the machine that the top rear of the playfield has an opening for connecting the backbox.
- Because of the weight of the cabinet body, carrying the cabinet body by grabbing onto this opening can cause serious damage to both the body and electronics inside.
- Please exercise extra caution when moving the cabinet body and backbox so that you have an ideal and safe out-of-the-box experience.



**AtGames**  
**LEGENDS PINBALL HDP**  
 AFFORDABLE FAMILY FUN

[www.atgames.net](http://www.atgames.net)

[www.atgames.us](http://www.atgames.us)



@atgamesgaming