

# LEGENDS ULTIMATE

## INSTRUCTION MANUAL



**ATGAMES**  
[www.atgames.net](http://www.atgames.net)

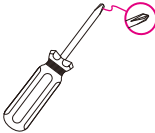
# INDEX

---

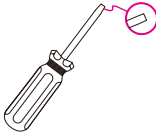
<b>ASSEMBLY GUIDE</b>	<b>P 2</b>
<b>LEGENDS ULTIMATE FEATURES</b>	<b>P 11</b>
<b>QUICK START GUIDE</b>	<b>P 12</b>
<b>HOW TO UPDATE FIRMWARE</b>	<b>P 12</b>
<b>HOW TO REGISTER/SIGN IN YOUR LEGENDS ACCOUNT</b>	<b>P 13</b>
<b>HOW TO CONNECT ATGAMES BLAST! DONGLES AND CONSOLES TO LEGENDS ULTIMATE</b>	<b>P 14</b>
<b>WHEN TO SAFELY POWER OFF ARCADE</b>	<b>P 15</b>
<b>WARRANTY INFO</b>	<b>P 15</b>
<b>FEATURED GAMES</b>	<b>P 16</b>
<b>SAFETY NOTICE, FCC STATEMENT</b>	<b>P 17</b>
<b>ISED STATEMENT</b>	<b>P 18</b>

# ASSEMBLY GUIDE

- **TOOLS NEEDED**  
(NOT INCLUDED)

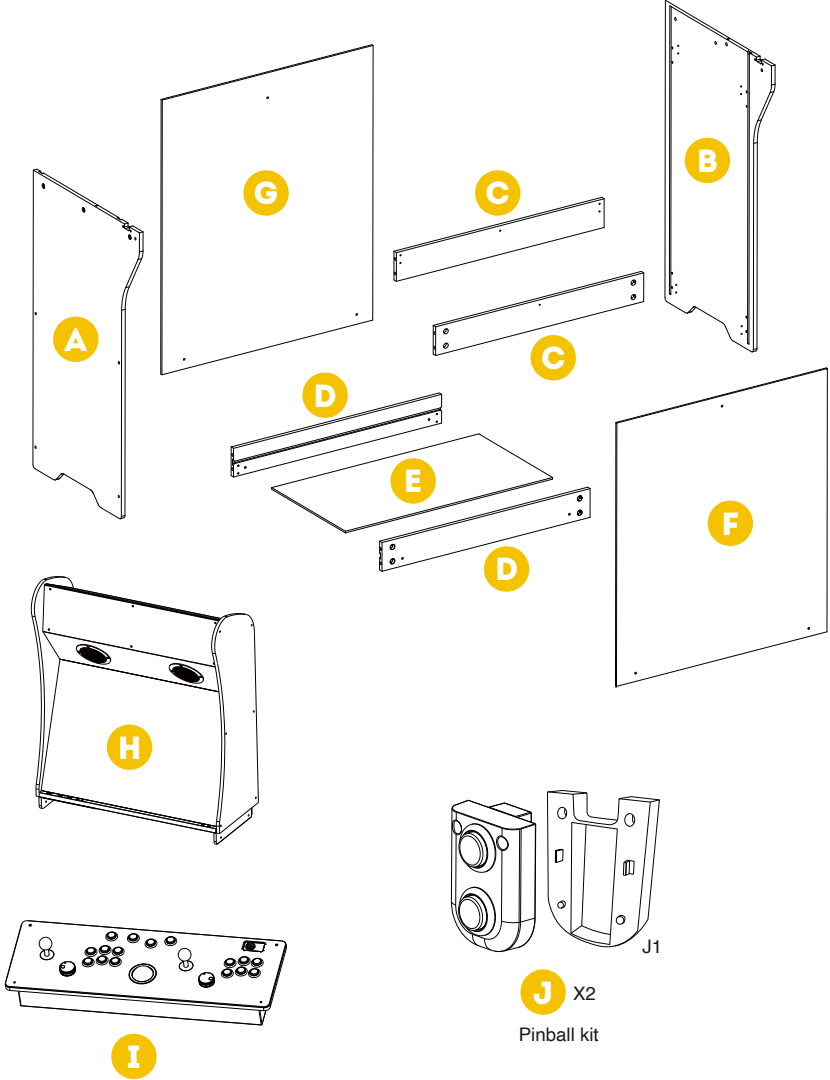


Phillips head screwdriver



Flat head screwdriver

## PARTS

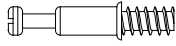


# ASSEMBLY GUIDE

---

## SCREWS

---



**S1** X16



**S2** X16



**S3** X6



**S4** X2



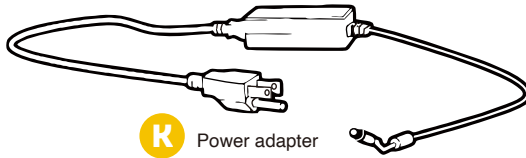
**S5** X6



**S6** X4

## CORD

---



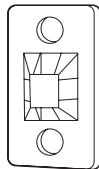
**K** Power adapter

## ANTI-TIPPING KIT

---



**L** X2



**M** X2



**S7** X2



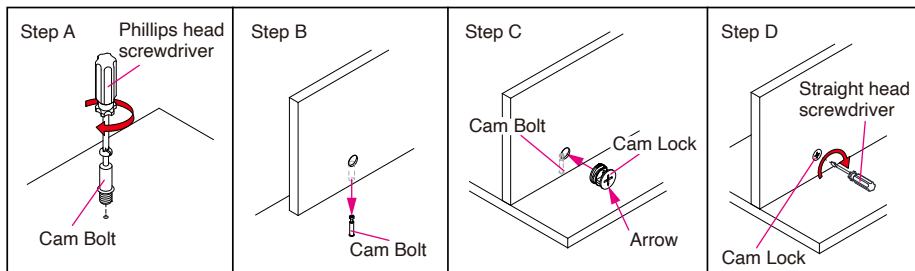
**S8** X2



**N** Cable tie

## ASSEMBLY STEPS

### • HOW TO USE THE CAM BOLT KIT

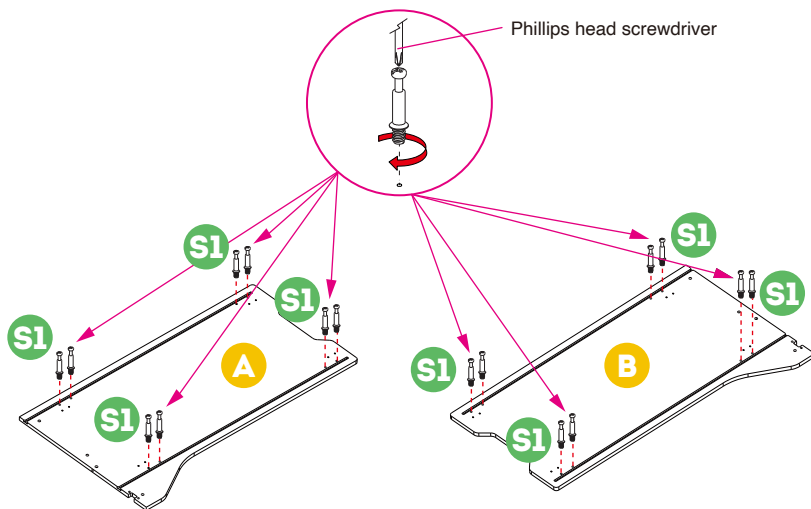


Step A. Use Phillips head screwdriver to fasten the cam bolt onto the panel. To avoid insufficient length to connect the cam lock, please do not overtighten it.

Step B. Attach both panels. Please make sure the cam bolts align with the holes.

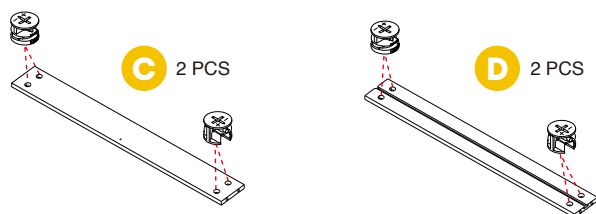
Step C. Insert the cam locks to the matching holes.

Step D. Tighten clockwise with straight head screwdriver.

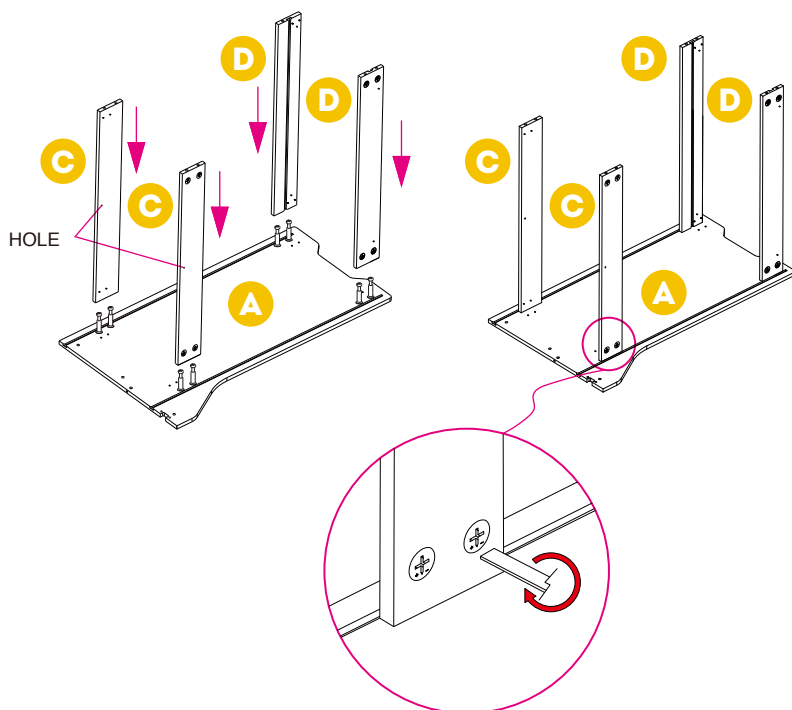


Step 1. Insert the 16 [S1] Cam bolts into the corresponding holes on panels [A] and [B] using a Phillips head screwdriver. Tighten perpendicularly by turning cam bolts clockwise. Unscrew and adjust as necessary to ensure cam bolts are perpendicular. Do not use excessive force or damage to panels may occur.

## ASSEMBLY STEPS



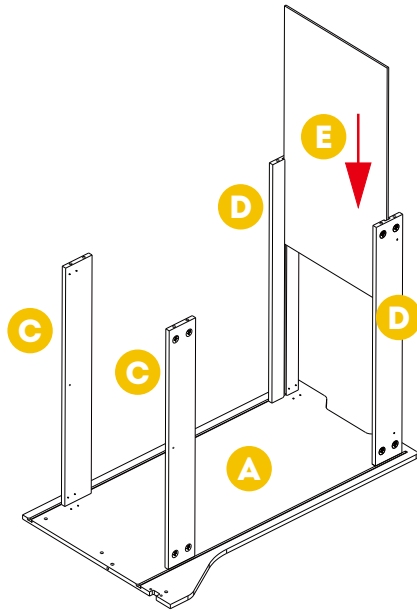
Step 2. Insert the 16 [S2] cam locks into the corresponding holes on panels [C] and [D]. Please note that the slotted side faces inwards.



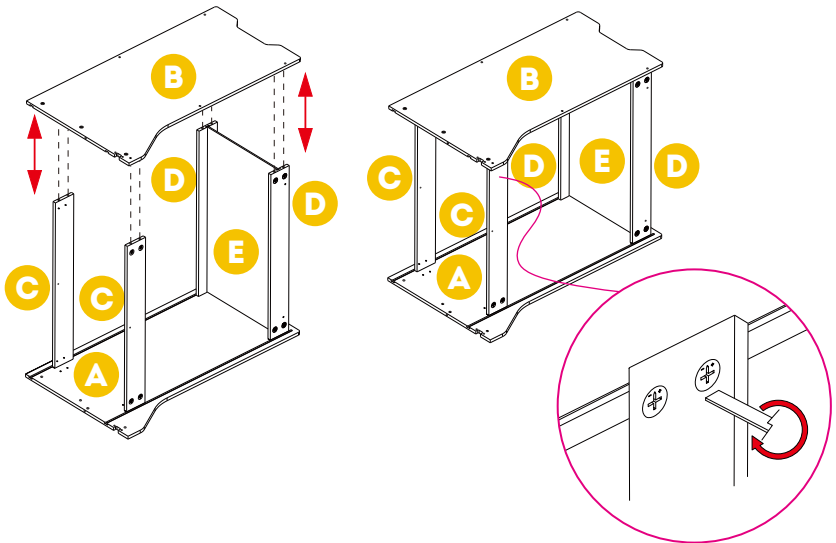
Step 3. Lay Panel [A] on side with cam bolts facing up. Insert [C] and [D] panels into panel [A] with cam locks facing outward as seen in diagram. Use screwdriver to rotate [S2] cam locks towards the "+" to tighten. Note: Slotted side of panel [D] should face inwards (towards each other).

## ASSEMBLY STEPS

---

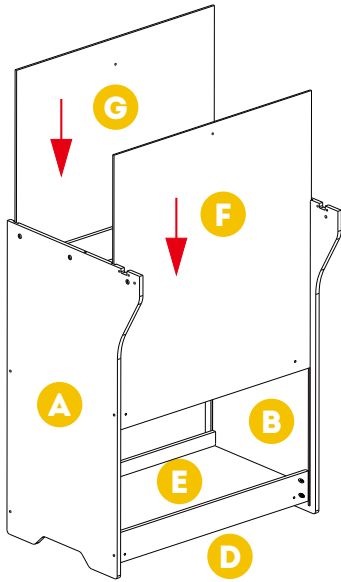


Step 4. Slide [E] panel into slots of [D] panels.

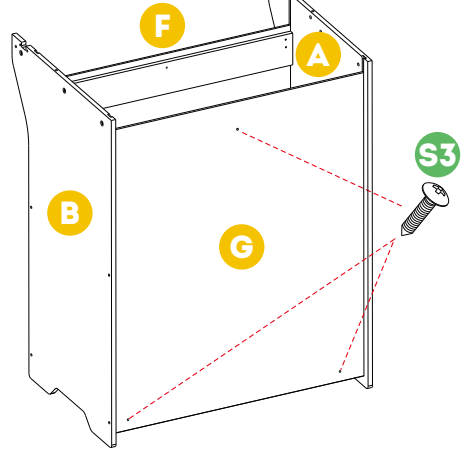


Step 5. Lay panel [B] onto panels [C] and [D], inserting cam bolts into corresponding holes. Use screwdriver to rotate the 8 [S2] cam locks towards the "+" to tighten.

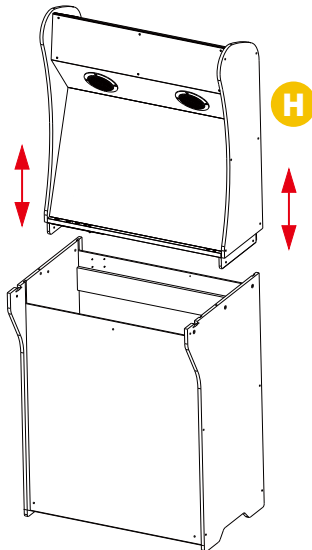
## ASSEMBLY STEPS



Step 6. Slide panels [G] and [F] into the tracks of panels [A] and [B].



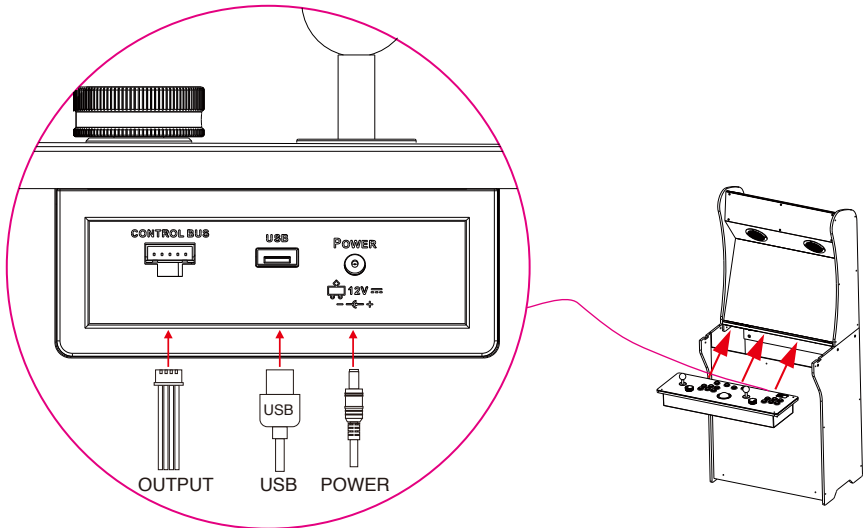
Step 7. Insert [S3] screws into the matching holes on panels [G] and [F] with Phillips screwdriver.



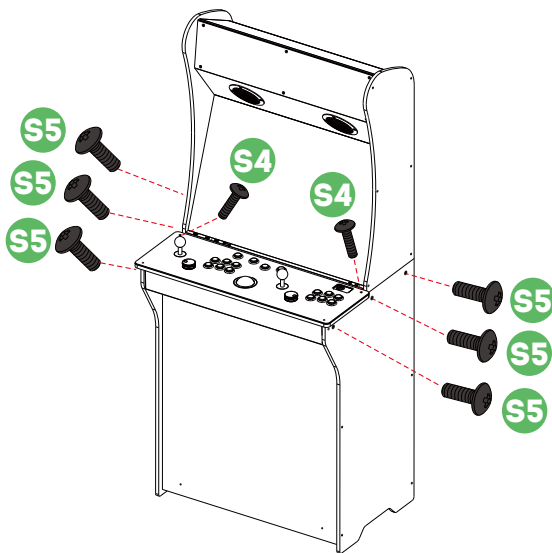
Step 8. Attach bar top [H] to the bottom part of the cabinet.



## ASSEMBLY STEPS

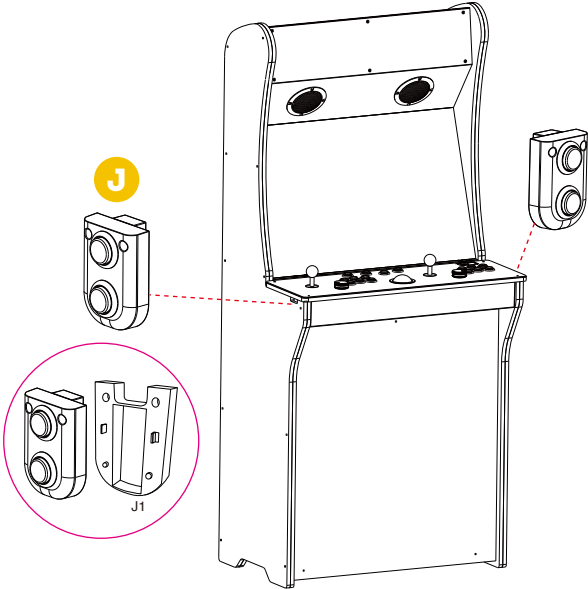


Step 9. Connect the cables to the matching slots on the control panel [I]. Please make sure the slots are aligned. Insert [I] to the cabinet.

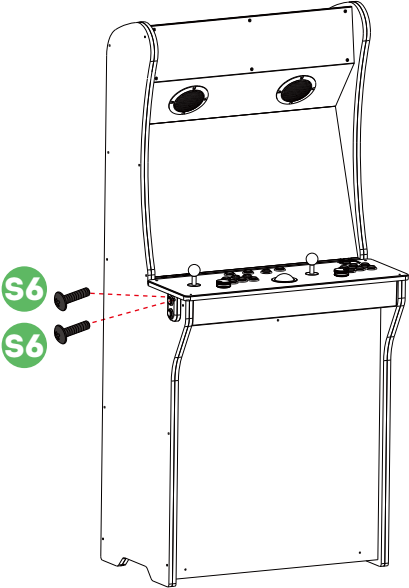


Step 10. Insert a pair of [S4] bolts. Insert 6 [S5] bolts into the corresponding holes on the sides of the cabinet and tighten.

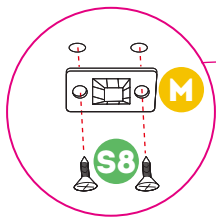
# ASSEMBLY STEPS



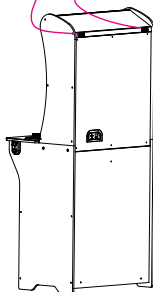
Step 11. Insert 4 [S6] bolts into the corresponding holes and tighten.



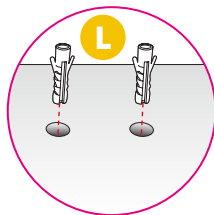
## ASSEMBLY STEPS



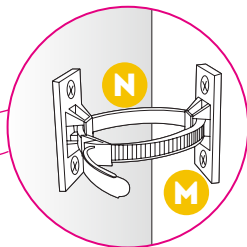
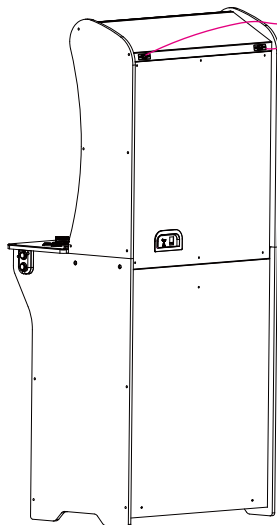
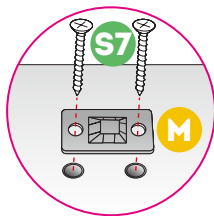
Step 12. Tighten [S8] on the bracket [M] against the top back side of the cabinet.



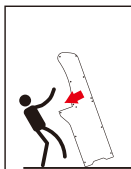
Step 13. Drill holes against the wall and insert plastic anchors [L] into the holes firmly.  
Warning: Ensure there are no power or water lines where you intend to drill. Using a stud finder is recommended.



Step 14. Tighten [S7] on the bracket [M] against the wall.



Step 15. Fasten the cable tie [N] to connect both brackets [M] to keep the cabinet from tipping over.



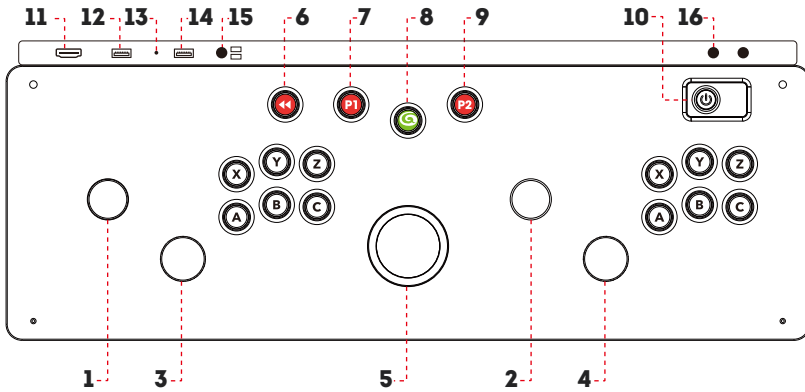
### WARNING

Serious or fatal crushing injuries can occur from tip-over. To help prevent tip-over:

- Do not set any heavy objects on top of the cabinet.
- Never allow children to climb or hang on the cabinet.

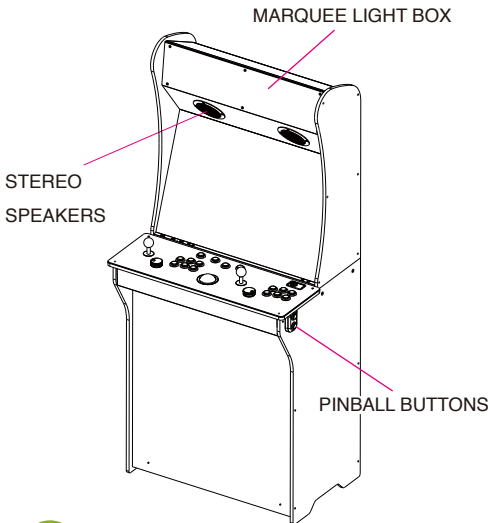
Use of tip-over restraints may only reduce but not eliminate the risk of tip-over.

# LEGENDS ULTIMATE FEATURES

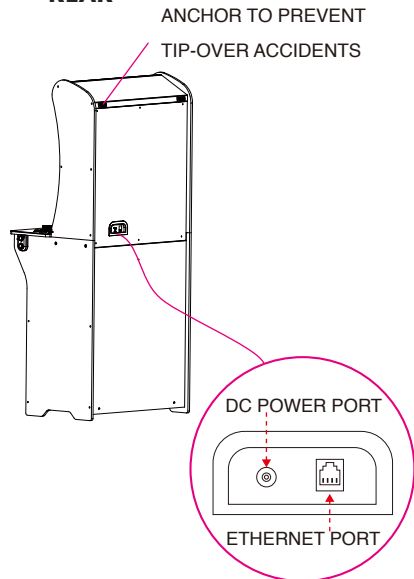


- |                |                        |                     |
|----------------|------------------------|---------------------|
| 1. P1 JOYSTICK | 6. REWIND              | 11. HDMI PORT       |
| 2. P2 JOYSTICK | 7. P1 START            | 12. USB PORT        |
| 3. P1 SPINNER  | 8. ATGAMES HOME BUTTON | 13. RESET BUTTON    |
| 4. P2 SPINNER  | 9. P2 START            | 14. USB PORT        |
| 5. TRACKBALL   | 10. POWER              | 15. CHANNEL BUTTON  |
|                |                        | 16. VOLUME ADJUSTER |

## •FRONT



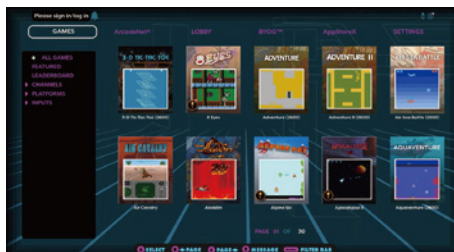
## •REAR



## QUICK START GUIDE

Note: All screenshots shown are for illustration purposes only. Actual screens may vary.

1. Plug in AC adapter and press the Power button to turn on.
2. Use P1 joystick to select and play 300 pre-loaded games. (Note: Internet connection is not required. The games can be played offline.)
3. Connect internet via Ethernet (Ethernet cable is not included) or Wi-Fi to play more games on ArcadeNet®.
4. To connect through Wi-Fi:

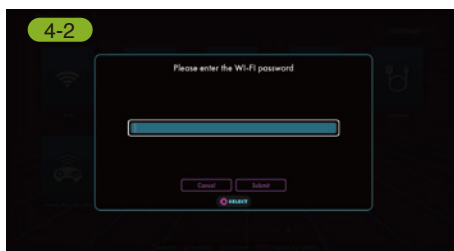
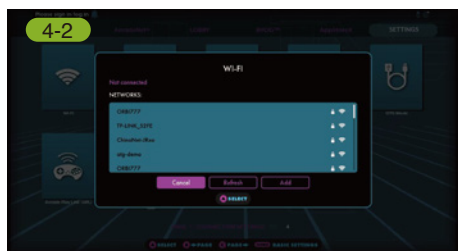


- 4-1. Select [Wi-Fi] under the [SETTINGS] page.



- 4-2. Select the Wi-Fi SSID you would like to connect to and select [Connect].

If prompted, enter the Wi-Fi password using the on-screen keyboard and select [Submit] when done.



## HOW TO UPDATE FIRMWARE

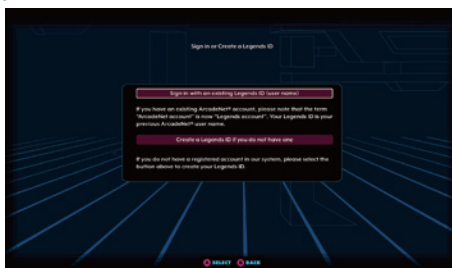
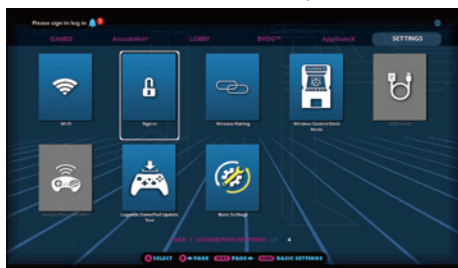
1. Power on the arcade.
2. Connect to internet via Ethernet (Ethernet cable is not included) or Wi-Fi.
3. Go to [SETTINGS] and select [Version].
4. If there is a newer version, follow the instructions and start downloading the latest firmware. Make sure the internet connection is stable during this process.
5. Once the firmware is downloaded successfully, select [Upgrade] and the device will reboot automatically to activate the new firmware version.

Note: If you encounter any issues during firmware update, contact support at: <https://www.atgames.net/arcades/contact>

# HOW TO REGISTER/SIGN IN YOUR LEGENDS ACCOUNT

1. Make sure your device is connected via Wi-Fi or Ethernet, then go to [SETTINGS] and select [SIGN IN].

2. Create a new account if you don't have one yet.

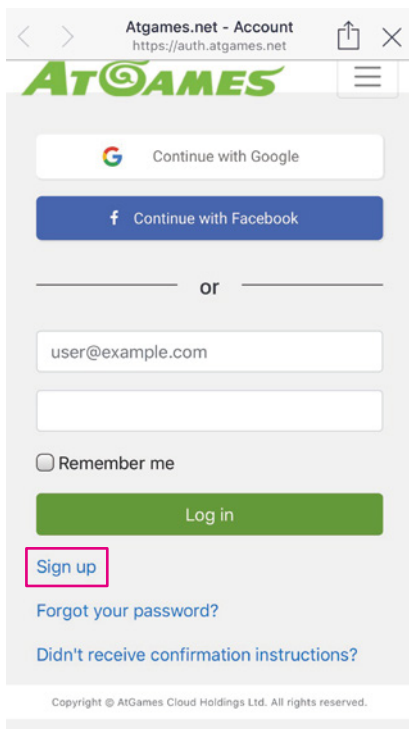
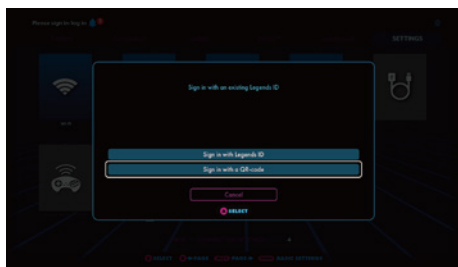


3. Once you have a Legends account, you can choose either to sign in with your Legends ID or with the QR code. To sign in with your email, enter the email address and password.

4. To sign in with the QR-code, a smartphone or tablet is required.

5. Use a smartphone or tablet to scan the QR-code on the screen to launch the ArcadeNet® website.

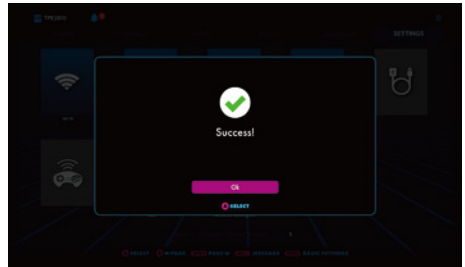
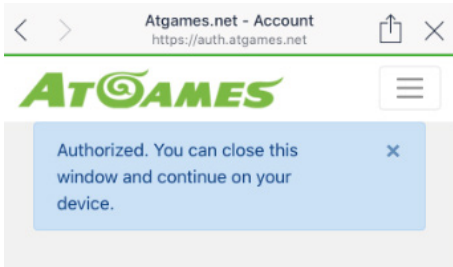
You will be directed to the login page, where you can choose either to sign in with your existing Google/Facebook account or your email.



## HOW TO REGISTER/SIGN IN YOUR LEGENDS ACCOUNT

---

6. You will see the authorization notification once complete. Now you can close the window and return to your arcade. A “Success!” message will show on the arcade once signed in.



## HOW TO CONNECT ATGAMES BLAST! DONGLES AND CONSOLES TO LEGENDS ULTIMATE\*

---

Step 1. Plug the AtGames Blast! dongle or console with HDMI cable into the HDMI port, then connect the USB power cord.

Step 2. Press HDMI CHANNEL button to select HDMI source.

Step 3. The Games Menu will display on the screen. Select the game you like and play!

NOTE: You can also go to [SETTINGS] and select the APL option and follow the on-screen instructions for your device.

\*Supports the following AtGames products:

2022: Legends Core Max (HA2819), Atari Flashback series items, Flashback Blast! series items.

2019: Legends Flashback (FB8660), Atari Flashback X (AR3060), Bandai Namco Arcade Blast! (WD3305 and WD3305S), Adventure Flashback Blast! (WD3308), Star Flashback Blast! (WD3309).

## WHEN TO SAFELY POWER OFF ARCADE

---

Do not power off the cabinet during the following:

- Firmware update
- Factory reset
- Data cleanup
- Read/write USB drive

This could prevent irreversible data loss and/or damage to your cabinet and USB drives.

## WARRANTY INFO

---

The manufacturer warrants this product to be free and clear of defects in the materials and workmanship, under normal residential use and conditions, for a period of ninety (90) days from the original invoice date. Shipping and handling fees are to be paid for by the customer. To make a warranty claim, please submit a service request here:

<https://www.atgames.net/arcades/contact>

Standard warranty coverage for the AtGames Legends Ultimate does not apply to and is considered invalid due to misuse, improper maintenance, self-repair, tampering, or invasive hardware modifications of any kind, and damages or dysfunction caused by shipping or non-manufacturing related causes.

Note: Standard warranty services are valid with receipt from an authorized retailer. Purchases through third-party sellers and resellers do not fall under the standard warranty program. For warranty support, please contact the third-party seller or reseller where you purchased the product. Please find the latest AtGames Warranty policy at:

<https://www.atgames.net/arcades/warranty>



## FEATURED GAMES

---

Adventure  
Aladdin  
Asteroids®  
Bad Dudes vs. Dragon Ninja  
Bubble Bobble™  
BurgerTime™  
Burnin' Rubber™  
Cadash™  
Centipede®  
Chack'n Pop™  
City Connection  
Colony 7™  
Crystal Castles®  
Donald in Maui Mallard  
Elevator Action™  
Fighter's History Dynamite / Karnov's Revenge  
Fix-It Felix, Jr.  
Front Line™  
Joe & Mac: Caveman Ninja  
Karate Champ  
Lock 'n' Chase  
Magical Drop / Chain Reaction  
Major Havoc  
Millipede®  
Missile Command®

Operation Thunderbolt™  
Operation Wolf™  
Peter Pepper's Ice Cream Factory  
Pong®  
Qix™  
Rastan™  
Space Invaders™  
Space Invaders DX™  
Super Breakout®  
Super Burger Time  
Super Star Wars  
Super Star Wars: Return of the Jedi  
Super Star Wars: The Empire Strikes Back  
Tempest®  
The Jungle Book  
The Lion King  
Tron  
Warlords®  
Wild Western™  
Yars' Revenge®  
Zombies Ate My Neighbors  
Zoo Keeper™  
**And many more...**

© 2022 Atari Interactive, Inc.

Atari and Atari logo are trademarks owned by Atari Interactive, Inc.

All individual Atari game names and logos are trademarks or registered trademarks of Atari Interactive, Inc. or its affiliates.

All other trademarks are the property of their respective owners.



© CITY CONNECTION CO., LTD

DATA EAST and DATA EAST logo(s) are trademarks in United States and other countries or registered trademarks in European Union and Japan of G-MODE Corporation.

© 2022 Disney. All rights reserved.



© 2022 Lucasfilm Ltd. All rights reserved.

Copyright © Piko Interactive LLC - All Rights Reserved.

SPACE INVADERS™ & © TAITO CORPORATION 1978 ALL RIGHTS RESERVED.

BUBBLE BOBBLE™ & © TAITO CORPORATION 1986 ALL RIGHTS RESERVED.

TAITO, the TAITO logo, SPACE INVADERS™ and BUBBLE BOBBLE™ are trademarks and/or registered trademarks of TAITO CORPORATION in Japan and/or other countries.



## SAFETY NOTICE

---

- Do not submerge the arcade cabinet in water or expose it to extreme heat or to strong magnetic fields. Doing so may cause permanent damage to your device.
- Always use a dry towel to clean the cabinet and the control top.
- Transformers are suitable for indoor use only. Transformers and power supplies for toys are not intended to be used as toys, and the use of these products by children shall be under the full supervision of parents.

## FCC STATEMENT

---

This equipment has been tested and found to comply with the limits for a Class B digital device, pursuant to part 15 of the FCC Rules. These limits are designed to provide reasonable protection against harmful interference in a residential installation. This equipment generates, uses and can radiate radio frequency energy and, if not installed and used in accordance with the instructions, may cause harmful interference to radio communications. However, there is no guarantee that interference will not occur in a particular installation. If this equipment does cause harmful interference to radio or television reception, which can be determined by turning the equipment off and on, the user is encouraged to try to correct the interference by one or more of the following measures:

- Reorient or relocate the receiving antenna.
- Increase the separation between the equipment and receiver.
- Connect the equipment into an outlet on a circuit different from that to which the receiver is connected.
- Consult the dealer or an experienced radio/TV technician for help.

### Caution

Any changes or modifications to this device not explicitly approved by manufacturer could void your authority to operate this equipment.

This device complies with part 15 of the FCC Rules. Operation is subject to the following two conditions:

(1) This device may not cause harmful interference, and (2) this device must accept any interference received, including interference that may cause undesired operation.

### For Game Host

This equipment complies with FCC radiation exposure limits set forth for an uncontrolled environment.

This equipment should be installed and operated with minimum distance 20cm between the radiator and your body. This transmitter must not be co-located or operating in conjunction with any other antenna or transmitter.

## WARNING

---

Adult assembly required. Due to the presence of small parts during assembly, keep out of reach of children until assembly is complete.

## ISED STATEMENT

---

- English: This device complies with Industry Canada license - exempt RSS standard(s). Operation is subject to the following two conditions: (1) This device may not cause interference, and (2) This device must accept any interference, including interference that may cause undesired operation of the device. The digital apparatus complies with Canadian CAN ICES-3 (B)/NMB-3(B).
- French: Le présent appareil est conforme aux CNR d'Industrie Canada applicables aux appareils radio exempts de licence. L'exploitation est autorisée aux deux conditions suivantes: (1) l'appareil ne doit pas produire de brouillage, et (2) l'utilisateur de l'appareil doit accepter tout brouillage radioélectrique subi, même si le brouillage est susceptible d'en compromettre le fonctionnement. L'appareil numérique du CIEM conforme canadien peut - 3 (b) / nmb - 3 (b).

This device meets the exemption from the routine evaluation limits in section 2.5 of RSS 102 and compliance with RSS 102 RF exposure, users can obtain Canadian information on RF exposure and compliance.

Cet appareil est conforme à l'exemption des limites d'évaluation courante dans la section 2.5 du CNR - 102 et conformité avec RSS 102 de l'exposition aux RF, les utilisateurs peuvent obtenir des données canadiennes sur l'exposition aux champs RF et la conformité.

This equipment complies with Canada radiation exposure limits set forth for an uncontrolled environment. This equipment should be installed and operated with minimum distance 20cm between the radiator & your body.

Cet équipement est conforme Canada limites d'exposition aux radiations dans un environnement non contrôlé. Cet équipement doit être installé et utilisé à distance minimum de 20cm entre le radiateur et votre corps.

This device meets the exemption from the routine evaluation limits in section 2.5 of RSS 102 and compliance with RSS 102 RF exposure, users can obtain Canadian information on RF exposure and compliance.

Cet appareil est conforme à l'exemption des limites d'évaluation courante dans la section 2.5 du CNR - 102 et conformité avec RSS 102 de l'exposition aux RF, les utilisateurs peuvent obtenir des données canadiennes sur l'exposition aux champs RF et la conformité.

This equipment complies with Canada radiation exposure limits set forth for an uncontrolled environment. This equipment should be installed and operated with minimum distance 0mm between the radiator & your body.

Cet équipement est conforme Canada limites d'exposition aux radiations dans un environnement non contrôlé. Cet équipement doit être installé et utilisé à distance minimum de 0mm entre le radiateur et votre corps.



# LEGENDS ULTIMATE



[www.atgames.us](http://www.atgames.us)



Please find the most updated product info at [www.atgames.us](http://www.atgames.us).

For customer service, warranty info, and technical support please find us here:

<https://www.atgames.net/arcades/contact>



**ATGAMES**

© 2022 AtGames Interactive

[www.atgames.net](http://www.atgames.net)

PO Box 1691, El Segundo, CA 90245

All rights reserved.

\*Content and images are for reference only and subject to change.  
The trademarks and images are the properties of their respective owners. © 2022 AtGames

Made in China